

BD 7/7 M6 0,04kW (251160260)

GENERAL DATA



FAN DOUBLE INLET

MANUFACTURING FEATURES:

- Galvanised steel sheet housing.
- Polyamide impeller reinforced with fibreglass in models 7/7, 9/9, 10/10 and 12/12. The impeller of the rest of models are made of galvanised steel sheet.
- Double inlet forward curved impeller in all models.
- Supplied with mounting feet (included in price). Except 15/15 which is a cubic model.
- Exclusive system Casals fixing motor and impeller fan by flexible arms silent blocks to avoid any vibration. Arms in compliance with ROHS regulations 2002/95 / EC (Restriction of Hazardous Substances in electrical and electronic equipment)
- Closed motors specially designed Casals: extruded aluminum housing, all protected inside the terminal box on the motor IP 65 protection and motor with IP54 protection and Class F insulation standard voltages: 230V 50Hz in single phase and 230/400V 50Hz three-phase.
- Single phase motors with controllable voltage speed. Three phase motors controllable using a frequency speed controller

APPLICATIONS:

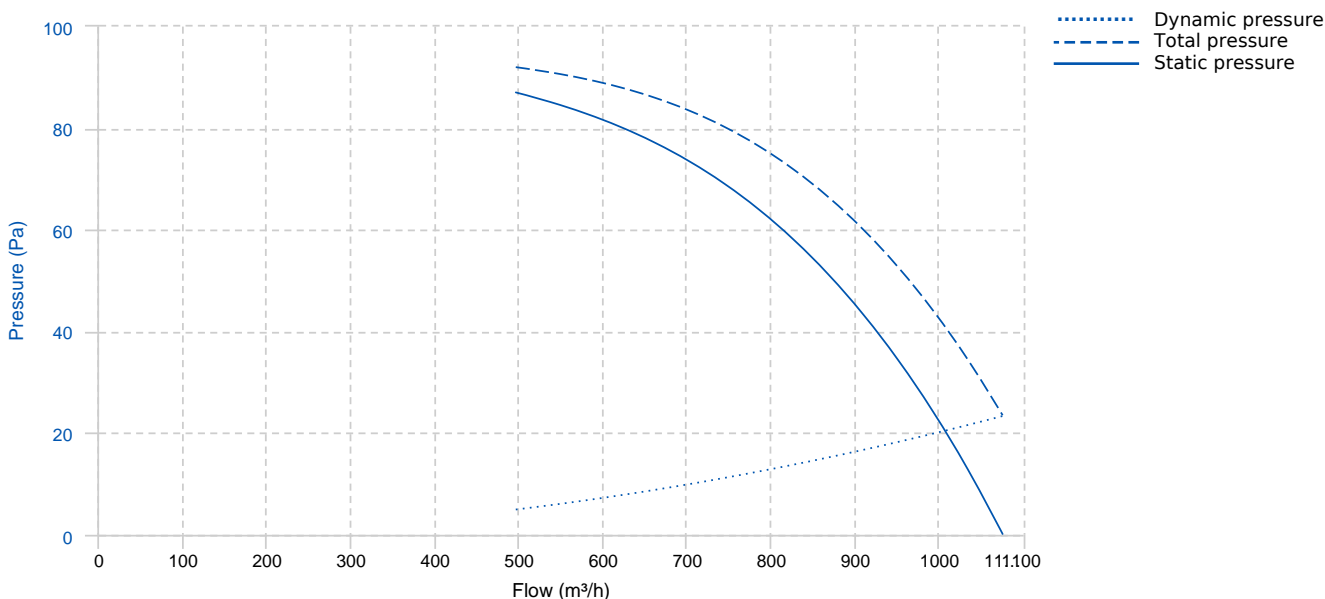
Designed for assembly in equipment:

- Ventilation boxes and air handling units.
- Centrifugal heaters.
- Industrial and professional kitchen hoods. Use in supply or extraction with prior fat filtering.
- Maximum working temperature: 50°C for single phase motors and 60°C for three phase motors.

UNDER REQUEST

- Impeller made of galvanized steel sheet.
- MBI assembled

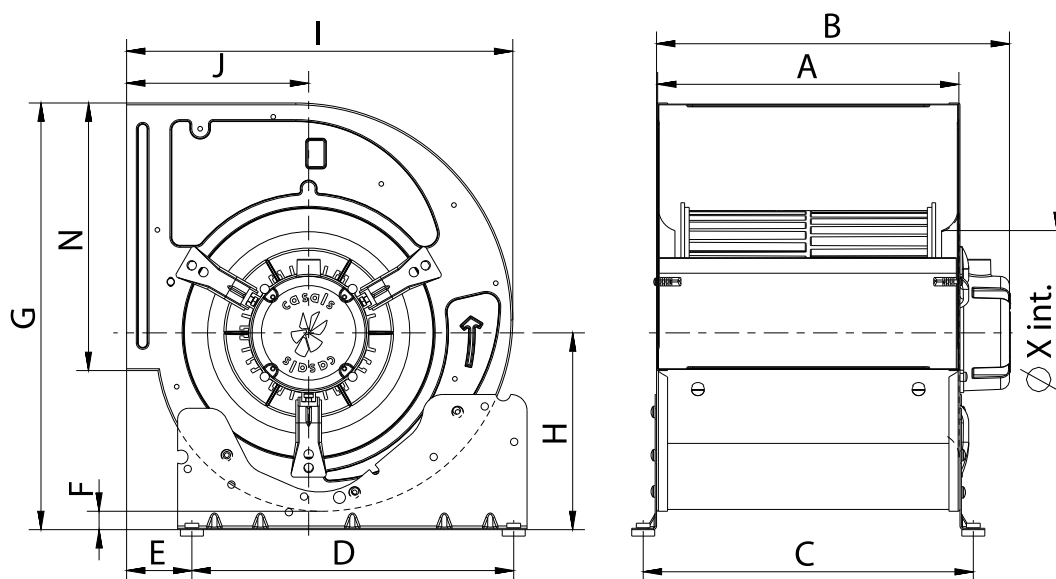
PERFORMANCE CURVE



TECHNICAL DATA

Fan							
RPM	885	Approx. weight	9 kg	Max. Flow	1080 m ³ /h		
Motor							
Power	0,04 kW	RPM	885	Capacitor	3μF 400V	I max. (230V)	0,6 A
Size	STC63	Approx. weight	2.2 kg	Efficiency (%)	40.8 %	FP	0.98

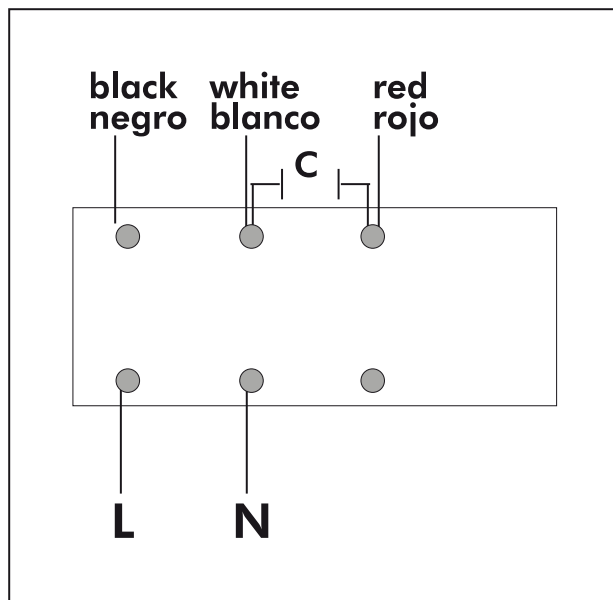
DIMENSIONS



Dimensions (mm)									
A	230	B m ^à x	277	C	259	D	245	E	48,5
F	9,5	G	337	H	150	I	316	J	153
N	208	X	158						

WIRING DIAGRAM

SINGLE PHASE MOTOR MOTOR MONOFÁSICO



ACCESSORIES



MANUAL SINGLE PHASE SPEED CONTROLLER
REG 1,5A
REF: 960710015



SAFETY SWITCH
INT 25 3P A
REF: INT253PA



OUTLET PROTECTION GUARD FOR FANS
RI 7/7
REF: A-960000401



PROTECTION GRID FOR BD FANS, MOTOR SIDE
RM 7 (T63)
REF: A-960000801



INLET PROTECTION GUARD FOR CENTRIFUGAL FANS
RA 7
REF: 960610100

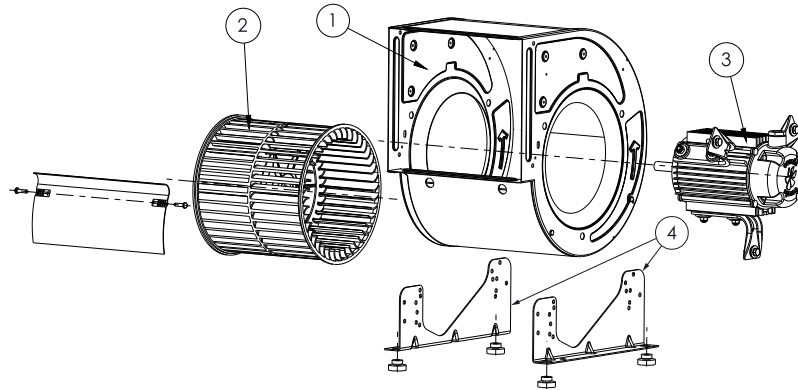


OUTLET FLANGE FOR BD AND BV FANS
MBI 7/7
REF: A-251161691



MANUAL SINGLE PHASE SPEED CONTROLLER
REGD-1
REF: 300782600

SPARE PARTS



	Code	Model	Qty
1	R-251169421	CASING BD7/7	x1
2	R-251169383	IMPELLER PA6 BD7/7	x1
3	720331196	MOTOR BD M6 0,04kW 230V	x1
4	960500100	MOUNTING SUPPORT S 7/9	x1